

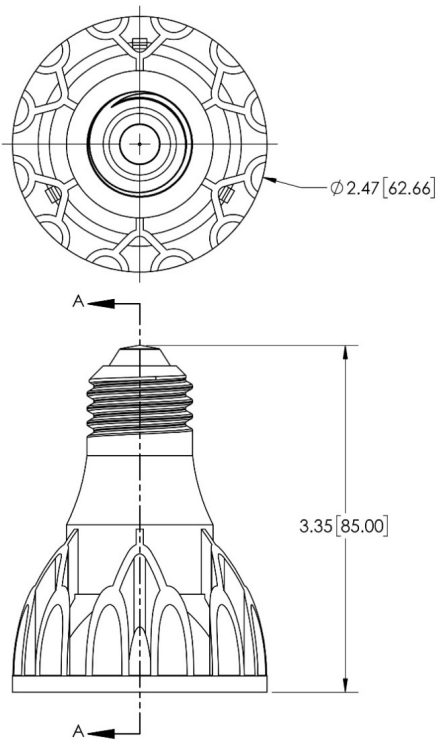


## LED MS120V PAR20 10W



### Features:

- Superior color accuracy & pure white index
- Flicker-free operation
- Temp protection when overheated
- 3 year/30,000 hours rating



CCT (Single)	6500K
Max Tc (C°)	90°
Ambient Temp (C°)	40°
Power Factor	0.974
CRI, R9	90,70
Lumens	634 lm
Flicker Index	.01
Percent Flicker	<1%
Dimming	Phase Dimmable
In-Rush Cycle to Cycle	<1 Amp